

DISC BRAKE CALIPER TYPE: CE/2

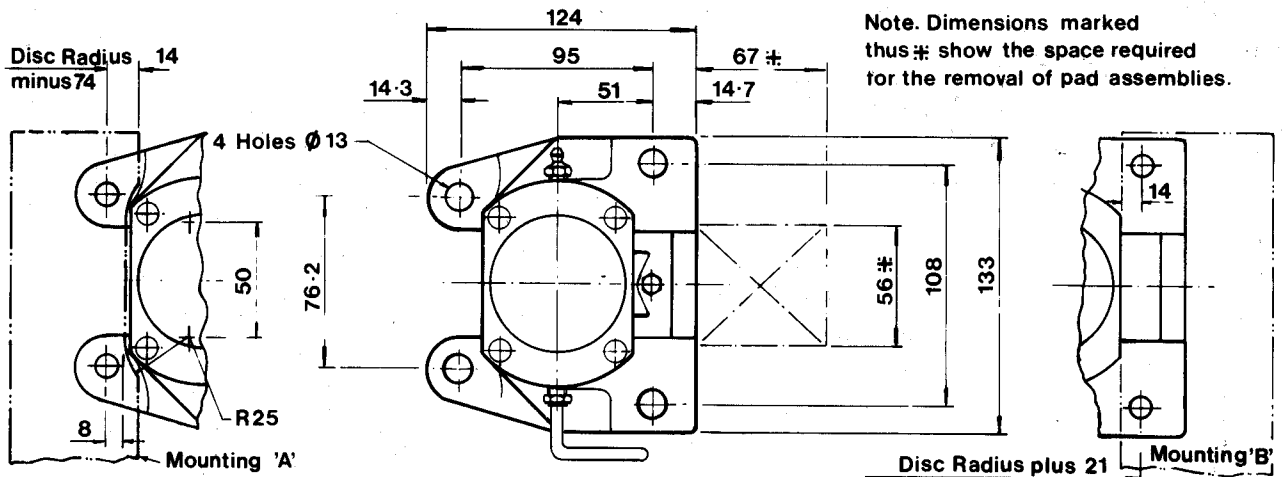
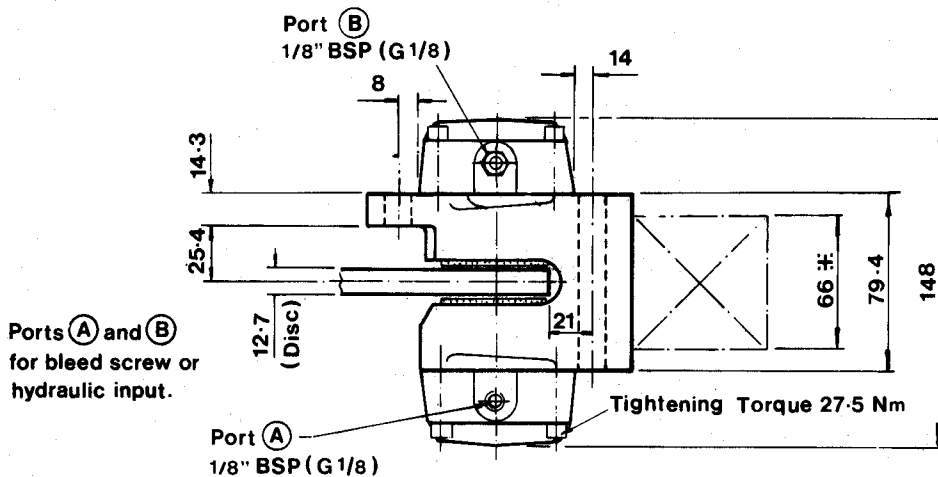
HYDRAULICALLY APPLIED

DB 2009

Issue 7

Date: Feb 1988

See Publication Ref. M152 for Installation, Operation and Maintenance.



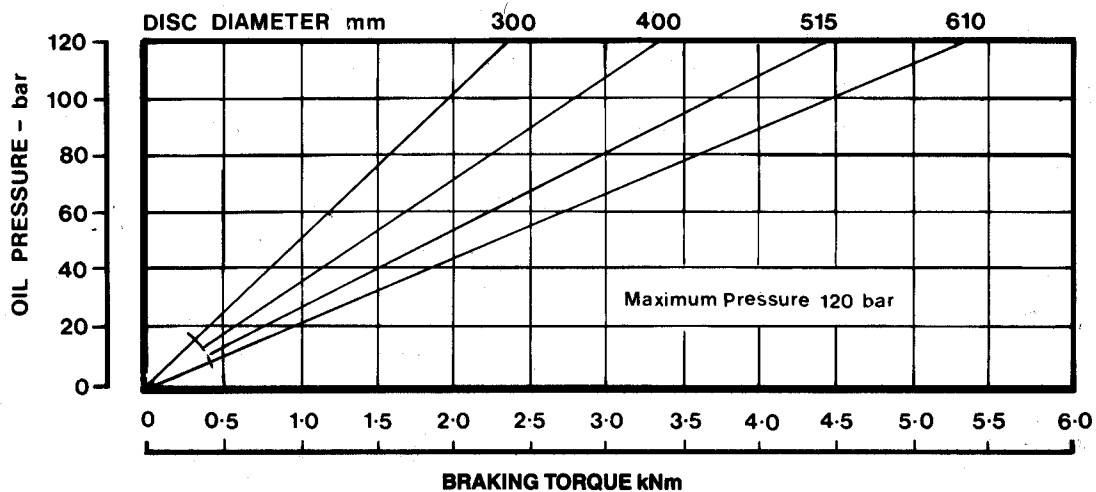
Performance Data:

*Braking Force; 19.6 kN at 120 bar oil pressure (normal maximum working pressure).

Braking Torque (kNm) = Braking Force (kN) × Effective Disc Radius (m).

where Effective Disc Radius (m) = Actual Disc Radius (m) - 0.030.

The above Braking Force figure is based on the standard pad friction coefficient $\mu=0.4$.



The ratings shown on the above graph are based on fully bedded-in pads.
IMPORTANT. This caliper must only be used with MINERAL OIL BASED HYDRAULIC FLUID



Twiflex Limited

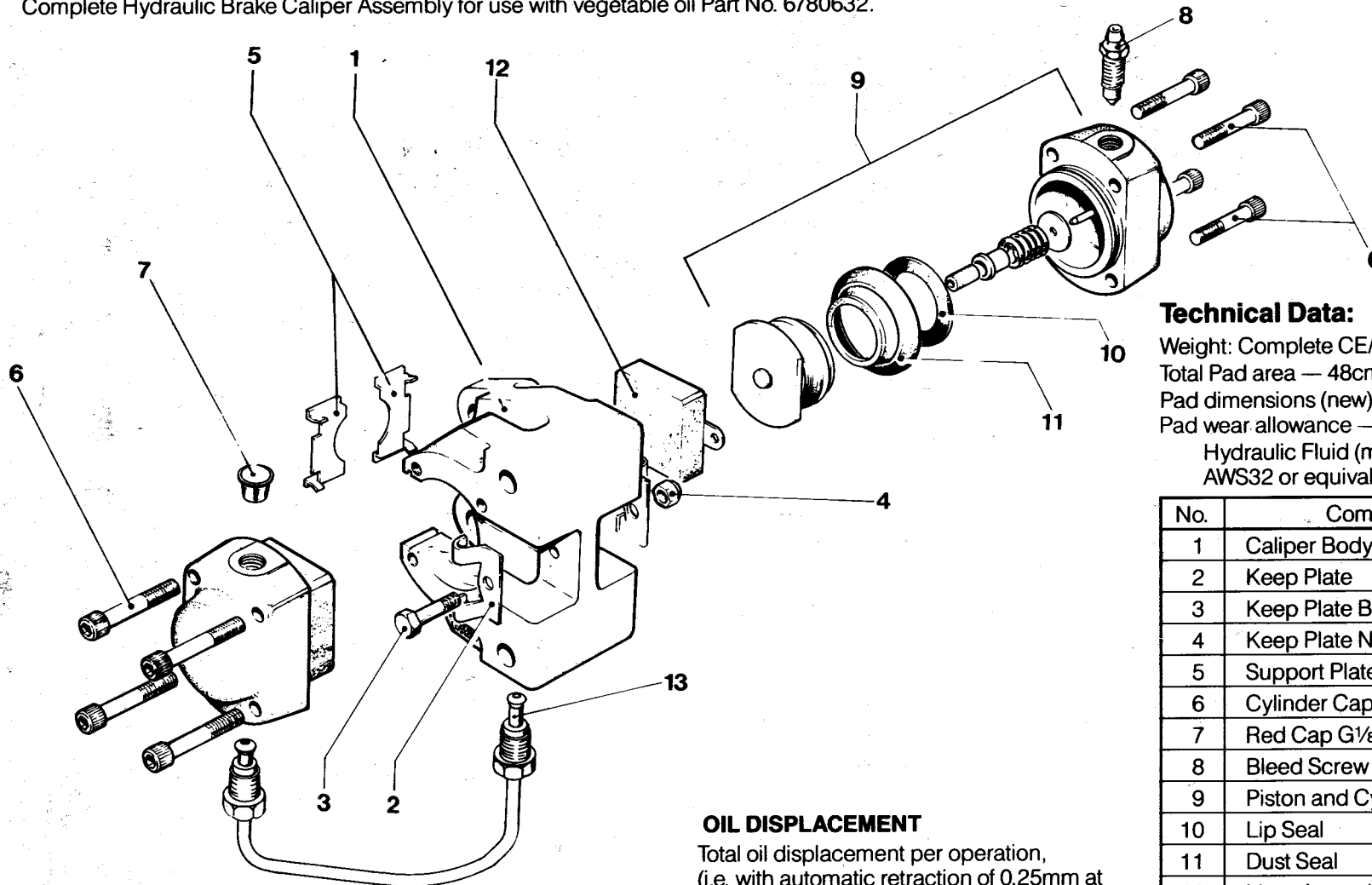
THE GREEN, TWICKENHAM ENGLAND TW2 5AQ

Tel: 01-894 1161 Fax: 01-894 6056 Telex: 261704 TWIFLX G

Complete Hydraulic Brake Caliper Assembly for use with mineral oil Part No. 6780583.

Brake Caliper for use with vegetable oil also available.

Complete Hydraulic Brake Caliper Assembly for use with vegetable oil Part No. 6780632.



Technical Data:

Weight: Complete CE/2 Caliper including Pads · kg

Total Pad area — 48cm²

Pad dimensions (new) — 54×47×18mm thick

Pad wear allowance — 9mm

Hydraulic Fluid (mineral) — Shell Tellus 37, Castrol Hyspin AWS32 or equivalent mineral based oil.

No.	Component	No. OFF	Part No.
1	Caliper Body	1	6600132
2	Keep Plate	2	6700178
3	Keep Plate Bolt	1	5000111
4	Keep Plate Nut	1	5100031
5	Support Plate	2	6700242
6	Cylinder Cap Head Bolt	8	5400293
7	Red Cap G ¹ / ₈	1	8300041
8	Bleed Screw G ¹ / ₈	1	6700217
9	Piston and Cylinder Assembly	2	6700584
10	Lip Seal	2	6000263
11	Dust Seal	2	6700060
12	Liner Assembly	2	0780124
13	Bridge Pipe Assembly	1	7300654

OIL DISPLACEMENT

Total oil displacement per operation,
(i.e. with automatic retraction of 0.25mm at
each pad)=1.2 ml.



Twiflex Limited

THE GREEN, TWICKENHAM, ENGLAND TW2 5AQ
Tel: 01-894 1161 Fax: 01-894 6056. Telex: 261704 TWIFLX G

**DISC BRAKE CALIPER
TYPE: CE/2
HYDRAULICALLY APPLIED**

DB 2009

Issue 7 Date: Feb 1988