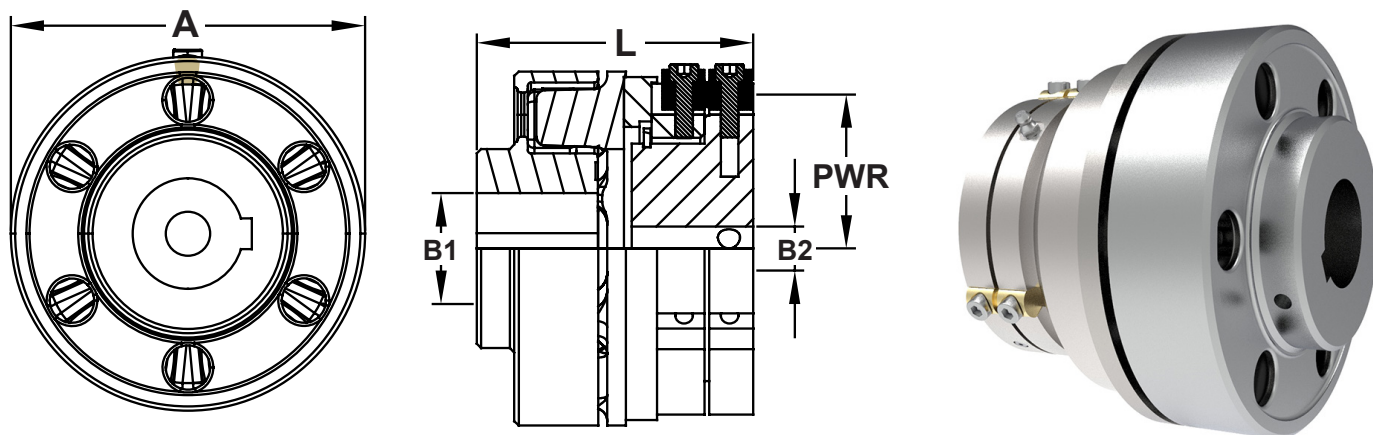


# Wedgard® CFS Flexible Coupling Manual Reset

DATASHEET Version 7/2020 - in-lbs-ft



- Type CFS Wedgard couplings combine a Centaflex half coupling with the Wedgard torque limiter.
- Units can be supplied bored and keywayed to customer requirements.
- Standard Units for release torques up to 6738950 in-lb / 561582 ft-lb.
- Standard finish - Natural or Chemically Blacked.
- **Higher Release/Shear Torques may be available.**

All torques shown in in/lbs

Model	Nom Drive in/lbs	Max Release in/lbs	Wedgpins	PWR	Dia (A)	Bores		Length (L)	Length With Monitor	Min Shaft Gap
						Max (B1)	Max (B2)			
CFS 500-160	5310	28588	3 x W37	54.5	160	60	50	181	-	10
CFS 500-198	10621	28588	3 x W37	54.5	198	75	50	195	-	10
CFS 700-220	22127	71018	3 x W50	72	220	85	70	218	-	10
CFS 700-275	44254	71018	3 x W50	72	275	100	70	238	-	10
CFS 950-350	88507	190795	3 x W75	105.5	350	130	100	320	-	15
CFS 1000-425	177014	6738950	4 x W100	127.5	425	160	120	359	385	15

All torques shown in ft/lbs

Model	Nom Drive ft/lbs	Max Release ft/lbs	Wedgpins	PWR	Dia (A)	Bores		Length (L)	Length With Monitor	Min Shaft Gap
						Max (B1)	Max (B2)			
CFS 500-160	443	2382	3 x W37	54.5	160	60	50	181	-	10
CFS 500-198	885	2382	3 x W37	54.5	198	75	50	195	-	10
CFS 700-220	1844	5918	3 x W50	72	220	85	70	218	-	10
CFS 700-275	3688	5918	3 x W50	72	275	100	70	238	-	10
CFS 950-350	7376	15900	3 x W75	105.5	350	130	100	320	-	15
CFS 1000-425	14751	561582	4 x W100	127.5	425	160	120	359	385	15

Maximum Release /Shear Torques shown are for RED coded Steel Wedgpins fitted – for the complete torque range see S Hub Torque Tables

Dimensions and specifications may change for improvement without notice.



Can't find the torque limiter you're looking for? Howdon offers a bespoke engineering design service.

Tel: +44 (0)1453 750814  
Fax: +44 (0)1453 765320  
www.howdon.co.uk  
sales@howdon.co.uk

